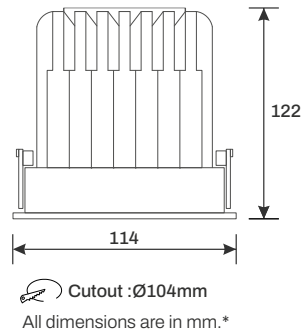


# AVIO FX DL

## Product & Installation Details



## Product Details

**System Wattage**  
35W

**Lumen Output**  
3500lm

**Efficacy**  
100lm/W

**CCT [K]**  
3000 | 4000 | 6500

**Beam Angle**  
24° / 36° / 60°

**Driver**  
850mA | 900mA

## General Specification

### Product Preference

**Environment**  
Indoor

**Installation**  
Ceiling Recessed

### Construction & Materials

**Housing**  
Die Cast Aluminium

**Body Finish**  
Black / White / Custom

### Thermal Management

**Heat Sink Material**  
Die Cast Aluminium

**Cooling Technique**  
Passive Cooling

### LED Technology

**LED Life Time @L70/B10**  
>50000 Hrs.

**Colour Rendering (CRI)**  
CRI80 as Standard

### General Features

**Operating Temperature**  
0°C-50°C

**Ingress Protection (IP)**  
IP20

### Electrical System

**Driven With**  
Constant Current Driver

**Input Voltage**  
220V-240V/50-60Hz

**Driver**  
Non-Integrated

### Controls

**Standard**  
On / Off

**Optional**  
Mains / Analog / Dali  
Bluetooth

### Optical System

**Beam Direction**  
Fixed

**Tilt**  
No

**Swivel**  
No

## Product Details:

Product Name	CCT	Beam Angle	Finish	Dimming Option
AVIO FX DL - 35W	CW	24° / 36° / 60°	Black / White	BLE/DALI/ANALOG
	NW	24° / 36° / 60°	Black / White	BLE/DALI/ANALOG
	WW	24° / 36° / 60°	Black / White	BLE/DALI/ANALOG



\*Parameters may differ due to CCT or Driver current variation.

